
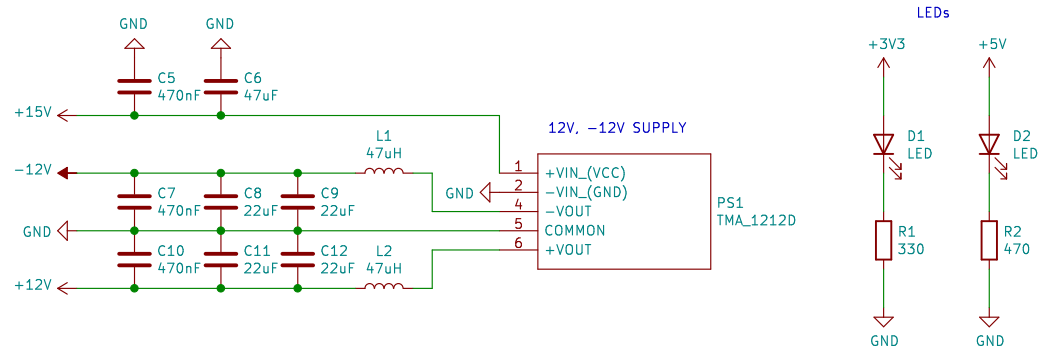
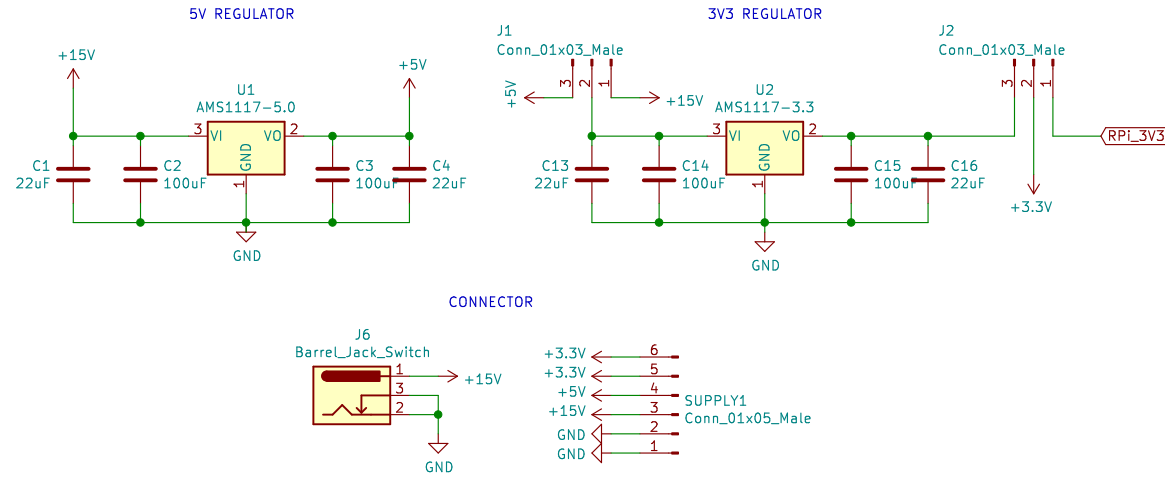


	1	2	3	4	5	6																
A																						
B	<p>Sheet: power</p>  <p>File: power.sch</p>		<p>Sheet: logic</p>  <p>File: logic.sch</p>																			
C																						
D					<table border="1"> <tr> <td colspan="2">PiBus</td> </tr> <tr> <td colspan="2">Sheet: /</td> </tr> <tr> <td colspan="2">File: PiBusV1.sch</td> </tr> <tr> <td colspan="2"><b>Title:</b></td> </tr> <tr> <td>Size: A4</td> <td>Date:</td> </tr> <tr> <td colspan="2">KiCad E.D.A. kicad (5.1.7)-1</td> </tr> <tr> <td colspan="2"><b>Rev:</b></td> </tr> <tr> <td colspan="2">Id: 1/3</td> </tr> </table>		PiBus		Sheet: /		File: PiBusV1.sch		<b>Title:</b>		Size: A4	Date:	KiCad E.D.A. kicad (5.1.7)-1		<b>Rev:</b>		Id: 1/3	
PiBus																						
Sheet: /																						
File: PiBusV1.sch																						
<b>Title:</b>																						
Size: A4	Date:																					
KiCad E.D.A. kicad (5.1.7)-1																						
<b>Rev:</b>																						
Id: 1/3																						
	1	2	3	4	5	6																



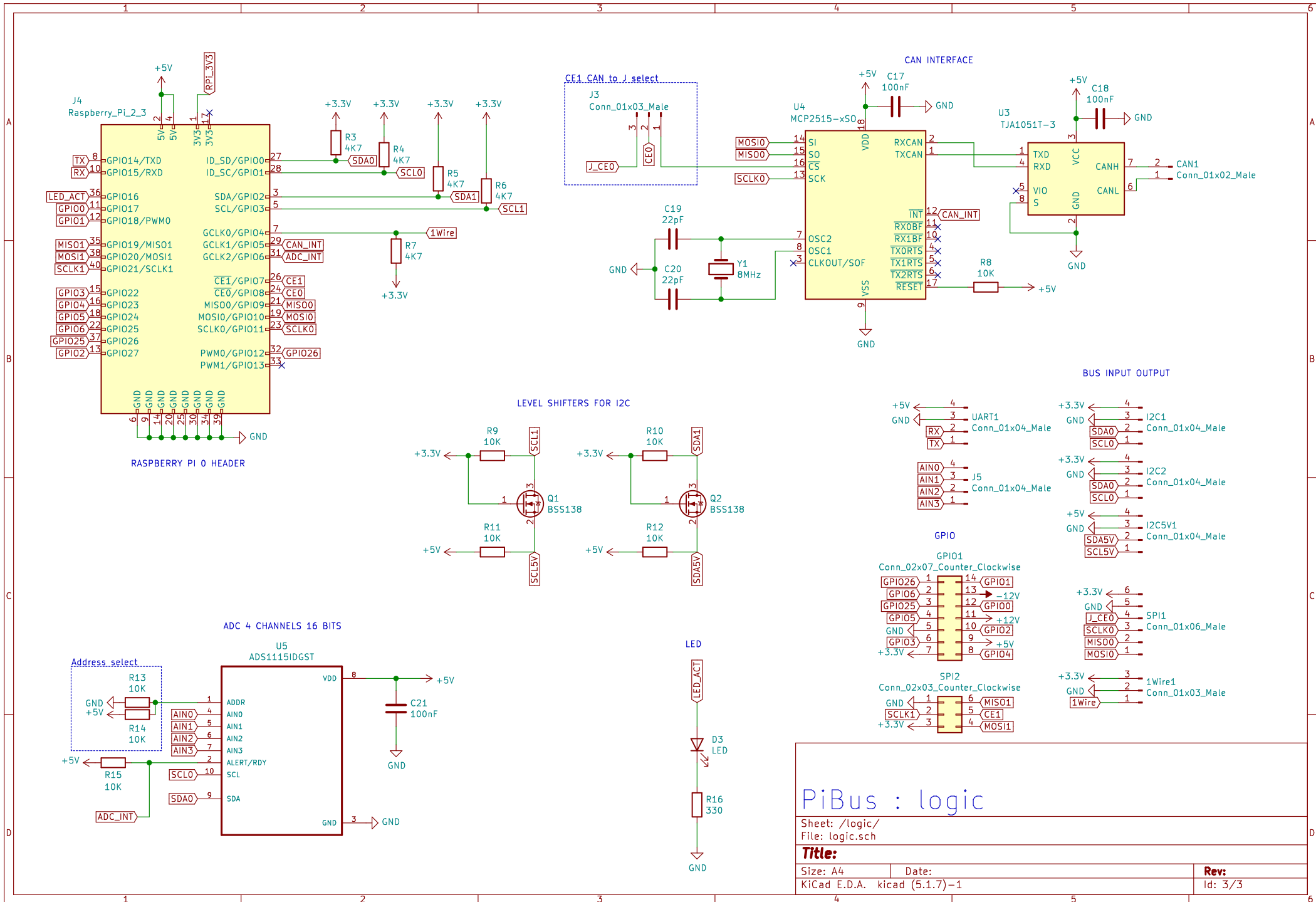
# PiBus : power

Sheet: /power/  
File: power.sch

**Title:**

Size: A4 Date:  
KiCad E.D.A. kicad (5.1.7)-1

**Rev:**  
Id: 2/3



# PiBus : logic

Sheet: /logic/  
File: logic.sch

<b>Title:</b>		<b>Rev:</b>	
Size: A4	Date:		
KiCad E.D.A. kicad (5.1.7)-1		Id: 3/3	